

# Your Reliable Energy Solution Partner

2024



5th floor, A Zone Of Building 11  
Hengchangrong High-Tech Industrial Park  
Huangtian Community, Hangcheng Street, Bao'an District,  
Shenzhen, China, 518100



+86 0755 8520 9056  
[www.luxpowertek.com](http://www.luxpowertek.com)  
[info@luxpowertek.com](mailto:info@luxpowertek.com)

" There are over **300,000+**

Luxpower systems installed worldwide in various scenarios, including hybrid, off-grid, AC coupling, and DC coupling. We are dedicated to assisting our users in utilizing the energy from the sun and improving their quality of life."



## 01 // Single Phase



● GEN-LB-EU 3-6K P06



● GEN-LB-EU 7-10K P08



● LXP-LB-EU 12K P10



● SNA 3-6K P22

## 03 // AC/DC Retrofit



● ACS 3600 P28  
● SQPOD 3600 P30



● LSP 100K P32

## 02 // Split Phase



● SNA US 6000 P24



● LXP-LB-US 8-10K P12



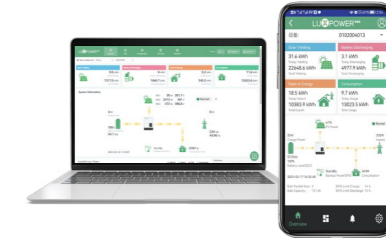
● LXP-LB-US 12K P14

## 04 // Three Phase



● TriP 6-20K P16

## 05 // Monitoring



● APP/WEB P34



LU<sup>X</sup>POWER<sup>TEK</sup>

# HYBRID SERIES

- Single Phase

GEN-LB-EU 3-6K

GEN-LB-EU 7-10K

LXP-LB-EU 12K

- Split Phase

LXP-LB-US 8-10K

LXP-LB-US 12K

- Three Phase

TriP 6-20K

# HYBRID SERIES

## Intelligent working modes

- Weather Compensation and Smart Octopus charging packages
- Self consumption mode for high tariff areas
- Charge priority mode for areas where grid power is unstable
- Force charge & discharge mode for variable tariff integration

## Smart EPS (Emergency Power Supply)

- Plug & Play integrated changeover, seamless switching under 20ms
- Auto backup power for critical load emergency supply

## Intelligent Battery Integration

- Remote upgrade for battery management system (BMS) firmware
- Wide range of compatible battery brands
- Auto 'wake-up' function of lithium battery from sleep mode
- Essential info uploaded to Lux server for quick ESS diagnosis
- Battery sharing with multi-inverters in single phase or three phase

## Advanced Parallel Units (Parallel Versions)

- Up to 10 units parallel
- Single phase and unbalanced three phase paralleling

## Key Features

- High PV input values
- High charge/discharge rates
- Light, fast & easy installation
- Free Wi-fi monitoring on mobile&PC
- Multi-phase output on different hybrid models
- Generator interface available

# HYBRID SERIES

## Single Phase

# GEN-LB-EU 3-6K



- Single phase power allocation in three-phase parallel operation
- Supports up to 6pcs in parallel for on/off-grid
- Time of Use
- 24/7 real-time monitoring via free LUX app and web
- On/off-grid seamless switching under 20ms
- Max 120A battery charging/discharging current
- IP65 for indoor/outdoor installation
- Separated generator connection interface
- Intelligent generator control



## SpecifiCation

INPUT (PV DC)	GEN-LB-EU 5K	GEN-LB-EU 6K
Max. PV array power(W)		8000
Rated PV input voltage(V)		360V
Number of independent MPPT inputs		2
PV input voltage range(V)		100~550
MPPT voltage range(V)		120~500
Start-up voltage(V)		140
Max. PV input current per MPPT(A)		17
Max. PV short-circuit current input per MPPT(A)		25
<b>Battery</b>		
Compatible battery type	Lithium-ion/Lead-Acid	
Rated battery voltage(V)	48	
Battery voltage range(V)	40~60	
Max. charge/discharge current(A)	100A	120A
Max. charge/discharge power(W)	5000	6000
Force wake up battery from PV fuction(Y/N)	YES	
<b>Grid</b>		
Rated AC voltage(V)	230	
Rated AC frequency(Hz)	50/60	
Rated AC output current(A)	21.7A	26A
Rated AC output power(W)	5000	6000
Max. AC input current(A)	34.7	
PF	0.99(Adjustable from 0.8 leading to 0.8 lagging)	
THDI	< 3%	
Rated AC current of BYPASS relays(A)	60	
<b>UPS</b>		
Rated output power(W)	5000	6000
Rated output voltage(V)	230	
Rated output current(A)	21.7A	26A
Rated output frequency(Hz)	50/60	
Surge power, duration	2Pn, 0.5s	
Switching time(UPS )	20ms	
Wave form	sine wave	
THDV	< 5%	
<b>Efficiency</b>		
MPPT efficiency	99.9%	
Max. efficiency	97.3%	
Max. charge efficiency	94.5%	
Max. discharge efficiency	94.5%	
<b>Protection</b>		
Over current / voltage protection(Y/N)	YES	
Anti-islanding protection(Y/N)	YES	
AC Short-circuit current protection(Y/N)	YES	
Leakage current protection(Y/N)	YES	
Ground fault monitoring(Y/N)	YES	
Grid monitoring(Y/N)	YES	
DC Switch(Y/N)	YES	
DC Surge protection Type III	YES	
AC Surge protection Type III	YES	
<b>General</b>		
Dimensions(W*H*D)	455*467*181mm/17.9*18.4*7.1inch	
Weight(kg)	29kg/64lbs	
Ingress protection rating	IP65	
Operating environment temperature range(°C)	-25~60	
Storage temperature range(°C)	-40~65	
Relative humidity	0~95%	
Display & Communication interface	LCD, RS485/Wi-Fi/CAN	
Warranty	5 years	
Cooling method	Smart cooling	
Topology on AC side	Transformer-less	
Topology on Battery side	Transformer	
Altitude(m)	2000	
Noise emission(typical)	< 25	
DC connection(VP-D4/MC4(Optional))	MC4	
AC connector	YES	
<b>Standard &amp; Certification</b>		



# HYBRID SERIES

## Single Phase

# GEN-LB-EU 7-10K

- Dual battery terminals
- Supports up to 10pcs in parallel for on/off grid
- AC coupling function
- Smart load prioritize necessities
- Auto Generator control
- Octopus smart time of use
- Weather optimize



Your Reliable  
Energy Solution  
Partner

## SpecifiCation

INPUT (PV DC)	GEN-LB-EU 7K	GEN-LB-EU 8K	GEN 10K
Max. PV array power(W)	12000	12000	15000
Rated PV input voltage(V)		360	
Number of independent MPPT inputs		2	
PV input voltage range(V)		100~600	
MPPT voltage range(V)		120~500	
Start-up voltage(V)		140	
Max. PV input current per MPPT(A)		25	
Max. PV short-circuit current input per MPPT(A)		34	
<b>Battery</b>			
Compatible battery type	Lithium-ion/Lead-Acid		
Rated battery voltage(V)	48		
Battery voltage range(V)	40~60		
Max. charge/discharge current(A)	146	167	210
Max. charge/discharge power(W)	7000	8000	10000
Force wake up battery from PV fuction(Y/N)	Y		
<b>Grid</b>			
Rated AC voltage(V)	230		
Rated AC frequency(Hz)	50/60		
Rated AC output current(A)	30.4	34.7	43.5
Rated AC output power(W)	7000	8000	10000
Max. AC input current(A)	63		
PF	0.99(Adjustable from 0.8 leading to 0.8 lagging)		
THDI	< 3%		
Rated AC current of BYPASS relays(A)	90		
<b>UPS</b>			
Rated output power(W)	7000	8000	10000
Rated output voltage(V)	230		
Rated output current(A)	30.4	34.7	43.5
Rated output frequency(Hz)	30.4	34.7	43.5
Surge power, duration	2Pn, 0.5s		
Switching time	< 20ms		
Wave form	Sine wave		
THDV	< 3%		
<b>Efficiency</b>			
MPPT efficiency	99.9%		
Max. efficiency@PV to grid	97.5%		
Max. efficiency@battery to grid	94%		
Max. charge/discharge efficiency	94%		
<b>Protection</b>			
PV reverse polarity protection(Y/N)	Y		
Over current/voltage protection(Y/N)	Y		
Anti-islanding protection(Y/N)	Y		
AC Short-circuit current protection(Y/N)	Y		
Leakage current protection(Y/N)	Y		
Ground fault monitoring(Y/N)	Y		
Grid monitoring(Y/N)	Y		
DC Switch(Y/N)	Y		
AC/DC Surge protection Type III	Y		
<b>General</b>			
Dimensions(W*H*D)	536*556*290mm/21.1*21.9*11.4inch		
Weight	42.64kg/94lbs		
Ingress protection rating	IP65/NEMA 4X		
Relative humidity	0~100%		
Operating environment temperature range(°C)	-25~60		
Storage temperature range(°C)	-25~60		
Display & Communication interface	Touch color screen, RS485/Wifi/CAN		
Warranty	5 years		
Cooling method	Smart cooling		
Topology	Transformer-less		
Altitude	<2000m		
Noise emission(typical)	<50dB		
<b>Standard &amp; Certification</b>			



# HYBRID SERIES

## Single Phase

# LXP-LB-EU 12K



- 3 MPPTs, Max. 18kW of PV input
- 12kW UPS output for backup during power cuts
- Supports up to 10pcs in parallel for on/off-grid
- Octopus smart time of use, weather optimize
- On/off-grid seamless switching under 20ms
- Separate generator port
  - Smart load prioritize necessities
  - Up to 20.7kW generator/AC coupling input



## SpecifiCation

INPUT (PV DC)	LXP-LB-EU 12K
Max. PV array power(W)	18000
Rated PV input voltage(V)	360
Number of independent MPPT inputs	3
PV input voltage range(V)	100~600
MPPT voltage range(V)	120~500
Start-up voltage(V)	140
Max. PV input current per MPPT(A)	25/15/15
Max. PV short-circuit current input per MPPT(A)	31/19/19
Battery	
Compatible battery type	Lithium-ion/Lead-Acid
Rated battery voltage(V)	48
Battery voltage range(V)	40~60
Max. charge/discharge current(A)	250
Max. charge/discharge power(W)	12000
Force wake up battery from PV function(Y/N)	YES
Grid	
Rated AC voltage(V)	230
Rated AC frequency(Hz)	50/60
Rated AC output current(A)	50
Rated AC output power(W)	11500
Max. AC input current(A)	200
PF	0.99(Adjustable from 0.8 leading to 0.8 lagging)
THDI	<3%
Rated AC current of BYPASS relays(A)	200
UPS	
Rated output power(W)	11500
Rated output voltage(V)	230
Rated output current(A)	50
Rated output frequency(Hz)	50/60
Surge power, duration	2Pn, 0.5s
Switching time	20ms
Wave form	Sine wave
THDV	3%
Efficiency	
MPPT efficiency	99.9%
Max. efficiency	99.0%
Max. charge efficiency	96.0%
Max. discharge efficiency	94.0%
Protection	
PV reverse polarity protection	YES
Over current/voltage protection	YES
Anti-islanding protection	YES
AC Short-circuit current protection	YES
Leakage current protection	YES
Ground fault monitoring	YES
Grid monitoring	YES
DC Switch	YES
AC/DC Surge protection Type III	YES
General	
Dimensions(W×H×D)	490×670×265mm/19.3×26.3×10.4inch
Weight	50kg/110.2lbs
Ingress protection rating	IP65
Relative humidity	0~100%
Operating environment temperature range(°C)	-25~60
Storage temperature range(°C)	-25~60
Display & Communication interface	Touch color screen, RS485/Wi-Fi/CAN
Warranty	5 years
Cooling method	Smart Cooling
Topology	Transformer-less
Altitude	<2000m
Noise emission(typical)	<50dB
Standards & Certification	
EMC SANS 211:2010/CISPR 2015+A1:2016, IEC 61000-2-2-2012+A1:2017+A2:2018, Cape Town list, G99, G100, NRS 097-2-1:2017	



# HYBRID SERIES

## Split Phase

# LXP-LB-US 8-10K

- Peak shaving function
- Breakers (AC, Gen, Load and Battery) are integrated
- Supports up to 10pcs in parallel for on/off grid
- Separate generator port
  - Smart load prioritize necessities
  - Up to 12kW generator/AC coupling input
- On/off grid seamless switching under 20ms
- Colorful touch LCD, IP65 for indoor/outdoor installation



Your Reliable Energy Solution Partner

## SpecifiCation

INPUT (PV DC)	LXP-LB-US 8K	LXP-LB-US 10K
Max. PV array power(W)	12000	16000
Rated PV input voltage(V)		360
Number of independent MPPT inputs		2/2
PV input voltage range(V)		100~600
MPPT voltage range(V)		120~500
Start-up voltage(V)		140
Max. PV input current per MPPT(A)		25/25
Max. PV short-circuit current input per MPPT(A)		31/31
<b>Battery</b>		
Compatible battery type	Lithium-ion/Lead-Acid	
Rated battery voltage(V)	48	
Battery voltage range(V)	40~60	
Max. charge/discharge current(A)	167	210
Max. charge/discharge power(W)	8000	10000
Force wake up battery from PV function	YES	
<b>Grid</b>		
Rated AC voltage(V)	240/208	
Rated AC frequency(Hz)	60	
Rated AC output current	33.3A@240V/38.5A@208V	41.6A@240V/48A@208V
Rated AC output power(W)	8000	10000
Max. AC input current(A)	63	63
PF	0.99 (Adjustable from 0.8 leading to 0.8 lagging)	
THDI	3%	
<b>UPS</b>		
Rated output power(W)	8000	10000
Rated output voltage(V)	120/240; 120/208	
Rated output current	33.3A@240V/38.5A@208V	41.6A@240V/48A@208V
Rated output frequency(Hz)	60	
Surge power, duration	2Pn, 0.5s	
Switching time	20ms	
Wave form	Sine wave	
THDV	<3%	
<b>Efficiency</b>		
Max. MPPT efficiency	99.9%	
Max. efficiency	97.5%	
Battery charge/discharge efficiency	94.0%	
CEC efficiency	96.4%	
<b>Protection</b>		
PV reverse polarity protection	YES	
Over current/voltage protection	YES	
Anti-islanding protection	YES	
AC short-circuit protection	YES	
Leakage current protection	YES	
DC switch	YES	
AC/DC surge protection Type III	YES	
Rapid shut down	YES	
Grid/AFCI/RSD monitoring	YES	
Grid/GEN breaker(Current/Voltage)	63A/480V	
Load breaker(Current/Voltage)	63A/480V	
Battery breaker(Current/Voltage)	250A/80V	
<b>General</b>		
Dimensions(W*H*D)	520*750*285mm/20.5*29.5*11.2inch	
Weight	50kg/110lbs	
Ingress protection rating	IP65/ NAME 4X	
Relative humidity	0~100%	
Operating environment temperature range	-25~60°C, >45°C Derating	
Storage temperature range(°C)	-25~60°C	
Display & Communication interface	Touch color screen, RS485/Wi-Fi/CAN	
Warranty	5/10 years	
Cooling method	Smart Cooling	
Topology	Transformer-less	
Altitude	<2000m	
<b>Standards &amp; Certification</b>		
E5000, SA17-18, SA:2018, CSA STD. C22.2 No.107.1 and 330, UL STD.1741, 17415B, UL1998:2018, IEEE STD.1547 and 1547.1, IEEE STD. HECO SRD-IEEE-1547.1, ETL, CETLus, America CEC List, NEC. section690.12		



# HYBRID SERIES

## Split Phase

# LXP-LB-US 12K

- 3 MPPT inputs, Max. up to 18 kW
- 200A AC bypass current for whole home backup
- Peak shaving function
- Supports up to 10pcs in parallel for on/off grid
- On/off grid seamless switching under 10ms
- Separate generator port
- Smart load prioritize necessities
- Up to 21.6kW generator/AC coupling input



## SpecifiCation

INPUT (PV DC)	LXP-LB-US 12K
Max. PV array power(W)	18000
Rated PV input voltage(V)	360
Number of independent MPPT inputs	3
PV input voltage range(V)	100~600
MPPT voltage range(V)	120~500
Start-up voltage(V)	140
Max. PV input current per MPPT(A)	25/15/15
Max. PV short-circuit current input per MPPT(A)	31/19/19
Battery	
Compatible battery type	Lithium-ion/Lead-Acid
Rated battery voltage(V)	48
Battery voltage range(V)	40~60
Max. charge/discharge current(A)	250
Max. charge/discharge power(W)	12000
Force wake up battery from PV function	YES
Grid	
Rated AC voltage(V)	240/208
Rated AC frequency(Hz)	60
Rated AC output current(A)	50
Rated AC output power(W)	12000
Max. AC input current(A)	200
PF	0.99 (Adjustable from 0.8 leading to 0.8 lagging)
THDI	<3%
Rated AC current of BYPASS relays(A)	200
UPS	
Rated output power(W)	12000
Rated output voltage(V)	120/240; 120/208
Rated output current(A)	50
Rated output frequency(Hz)	60
Surge power, duration	2Pn, 0.5s
Switching time	20ms
Wave form	Sine wave
THDV	<3%
Efficiency	
Max. MPPT efficiency	99.9%
Max. efficiency	97.5%
Battery charge/discharge efficiency	94.0%
CEC efficiency	96.9%
Protection	
PV reverse polarity protection	YES
Over current/voltage protection	YES
Anti-islanding protection	YES
AC Short-circuit protection	YES
Leakage current protection	YES
DC switch	YES
AC/DC surge protection Type III	YES
Rapid shut down	YES
Grid/AFCI/RSD monitoring	YES
Load breaker(Current)	200A
Battery breaker(Current/Voltage)	2*200A/80V
General	
Dimensions(W*H*D)	520*870*285mm/20.5*34.2*11.2inch
Weight	55kg/121.2lbs
Ingress protection rating	IP65/ NAME 4X
Relative humidity	0~100%
Operating environment temperature range(°C)	-25~60°C, >45°C Derating
Storage temperature range(°C)	-25~60
Display & Communication interface	Touch color screen, RS485/Wi-Fi/CAN
Warranty	5/10 years
Cooling method	Smart Cooling
Topology	Transformer-less
Altitude	<2000m
Standards & Certification	
E5000, SA17-18, SA:2018, CSA STD. C22.2 No.107.1 and 330, UL STD.1741, 1741SB, UL1998:2018, IEEE STD.1547 and 1547.1, IEEE STD. HECO SRD-IEEE-1547.1, ETL, CETLus, America CEC List, NEC. section690.12, FCC	

Your Reliable Energy Solution Partner



# HYBRID SERIES

## Three Phase

# TriP 6-20K

- Three-phase solutions
- 150% unbalanced output, Max.10kW per phase
- 20kW UPS output
- Supports 1.5 DC/AC ratio
- Supports up to 10pcs in parallel for on/off grid
- Battery working range: 100~700V
- Separated generator port
- Smart load prioritize necessities
- Up to 21.6kW generator/AC coupling input



New TriP, New Journey  
3-Phase Solution



## SpecifiCation

INPUT (PV DC)	TriP 6K	TriP 8K	TriP 10K	TriP 12K	TriP 15K	TriP 20K
Max. PV array power (W)	9000	12000	15000	18000	22500	30000
Reted PV input voltage (V)	650					
Number of independent MPPT inputs	2		3			
Max. PV input voltage (V)	1000					
MPPT voltage range (V)	200~900					
Start-up voltage (V)	160					
Max. PV input current per MPPT (A)	20/20			40/40/40		
Max. PV short-circuit current input per MPPT	25/25(A:1/B:1)			50/50/50(A:2/B:2/C:2)		
<b>Battery</b>						
Compatible battery type	Lithium-ion/Lead-Acid					
Rated battery voltage (V)	400					
Battery voltage range (V)	100~700					
Max. charge voltage (V)	700					
Max. charge/discharge current (A)	50					
Max. charge/discharge power (W)	6000	8000	10000	12000	15000	20000
Force wake up battery from PV fuction(Y/N)	YES					
<b>Grid</b>						
Rated AC voltage (V)	230/400					
Rated AC frequency (Hz)	50					
Rated AC output current (A)	9.1	12.2	15.2	18.2	22.8	30.3
Rated AC output power (W)	6000	8000	10000	12000	15000	20000
Rated AC input current (A)	11.4	15.3	19	22.8	28.5	37.9
Rated AC input power (W)	6000	8000	10000	12000	15000	20000
PF	0.99(Adjustable from 0.8 leading to 0.8 lagging)					
THDI	<3%					
Rated AC current of BYPASS relays (A)	90					
<b>UPS</b>						
Rated output power (W)	6000	8000	10000	12000	15000	20000
Rated output voltage (V)	230/400					
Rated output current (A)	9.1	12.2	15.2	18.2	22.8	30.3
Rated output frequency (Hz)	50					
Surge power, duration	1.5Pn, 10s					
Switching time	20ms					
Wave form	Sine wave					
THDV	<3%					
<b>Efficiency</b>						
Max. efficiency	97.4%					
Max.charge/discharge efficiency	97.2%					
<b>Protection</b>						
PV reverse polarity protection(Y/N)	YES					
Over current/voltage protection(Y/N)	YES					
Anti-islanding protection	YES					
AC Short-circuit protection	YES					
Leakage current protecion	YES					
Grid monitoring	YES					
DC switch	YES					
Ingress protection	YES					
DC Surge protection Type III	YES					
AC Surge protection Type III	YES					
<b>General</b>						
Dimensions ( W*H*D )	605*563*257mm/24*22.4*10.2inch					
Weight	43kg/94.8lbs					
Ingress protection rating	IP65					
Operating environment temperature range(°C)	-25~60					
Storage temperature range(°C)	-40~70					
Relative humidity	0~100%					
Display & Communication interface	Touch color screen, RS485/Wifi/CAN					
Warranty	5 years					
Cooling method	Natural cooling		Smart cooling			
Topology	Transformer-less					
Altitude	<4000m					
Noise emission (typical)	<50dB					
<b>Standard &amp; Certification</b>						
VDE4105+0214, TOR Type A/B:2022						



SNA 3-6K Single Phase

SNA US 6000 Split Phase

Luxpower has taken further steps to bring energy security to every home, on and off grid. Reorganize your energy at home, no more blackouts.

# SNA 3-6K

SNA 3-6K Single-Phase Inverter, a cutting-edge solution for residential energy independence.

This inverter offers more than just off-grid functionality; it also provides autonomous power generation, making it suitable for regions with unreliable power supplies. It seamlessly transitions between on and off-grid modes, making it ideal for remote areas and places with unstable power, enabling direct off-grid use.



# How it works

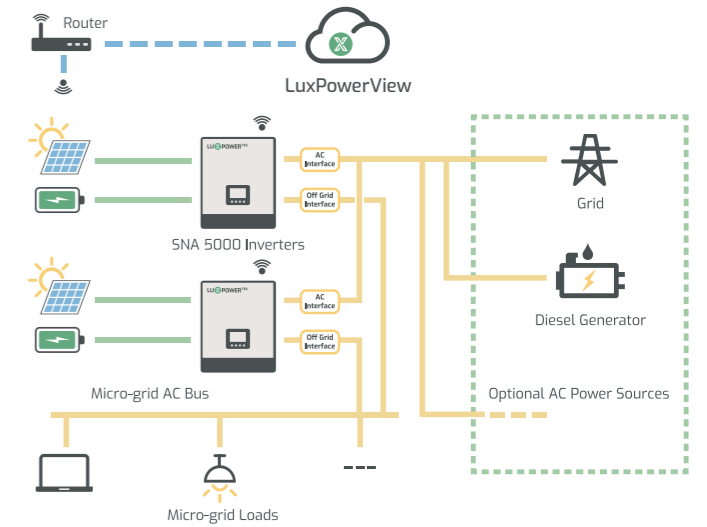
## / System Connection

Off-grid system is a good solution for the area where the grid power is unstable or in scarcity.

Advantage of solar power:

- Easy to install
- Efficient
- Cost-effective
- Environment-friendly

The inverters support a paralleling function for a maximum of 16 units, enhancing their overall capacity and flexibility.



## / Working Mode

Our off-grid SNA series introduces a variety of flexible operating modes designed to meet the diverse power consumption needs of different scenarios, including self-consumption, charging priority, and backup power modes.

Self-consumption mode:

Solar > Battery > Utility Power (SBU)

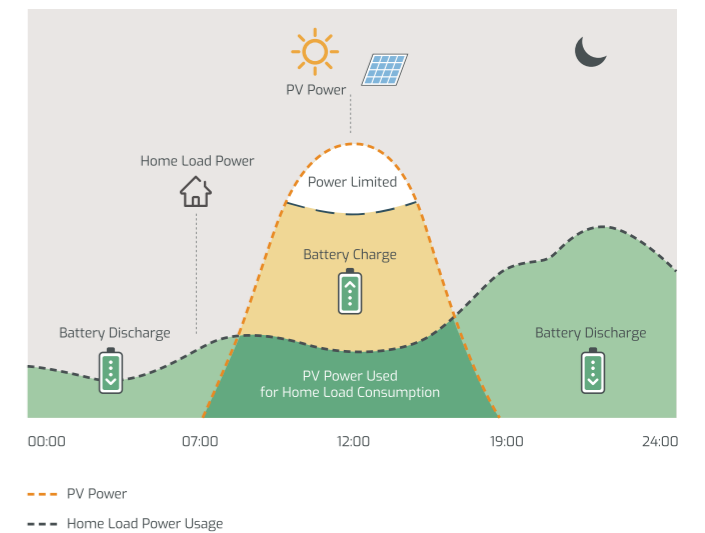
Charging priority mode:

Solar > Utility Power > Battery (SUB)

Backup power mode (no photovoltaic panels):

Utility Power > Battery and Battery > Utility Power

Users can choose specific modes based on their power requirements.



# SNA 3-6K Single-Phase

- Off-grid seamless switching
- Wide PV input voltage range
- Single-phase/Unbalanced three-Phase
- Supports up to 16pcs in parallel
- Automatically assigns a primary unit for the parallel inverter system.
- Separated generator port available



## SpecifiCation

INPUT (PV DC)	SNA 3000W	SNA 4000W	SNA 5000W	SNA 6000W
Max. PV array power(W)	6000 (3000/3000)	8000 (4000/4000)	8000 (4000/4000)	8000 (4000/4000)
Rated PV input voltage(V)	320			
Number of independent MPPT inputs	2			
PV input voltage range(V)	100~480			
MPPT voltage range(V)	120~385			
Start-up voltage(V)	100			
Max. PV input current per MPPT(A)	17/17			
Max. PV short-circuit current input per MPPT(A)	25/25			
<b>Battery</b>				
Compatible battery type	Lithium-ion/Lead-Acid			
Rated battery voltage(V)	48			
Battery voltage range(V)	38.4~60			
Max. charge/discharge current(A)	70/70	90/90	110/110	125/140
Max. charge/discharge power(W)	3000	4000	5000	6000
Recommend capacity of battery per inverter	>100AH	>200AH	>200AH	>200AH
Force wake up battery from PV function	YES			
Force wake up battery from Grid function	YES			
<b>Grid</b>				
Rated AC voltage(V)	230			
Rated AC frequency(Hz)	50/60			
Rated AC output current(A)	13.5	17.5	22	26.5
Rated AC output power(W)	3000	4000	5000	6000
PF	0.99(Adjustable from 0.8 leading to 0.8 lagging)			
THDI	<5%			
Rated AC current of BYPASS relays(A)	40			
<b>UPS</b>				
Rated output power(W)	3000	4000	5000	6000
Rated output voltage(V)	230			
Rated output current(A)	13.5	17.5	22	26.5
Rated output frequency(Hz)	50/60			
Surge power, duration	2Pn, <2s			
Switching time	<15ms@Single/ <30ms@Parallel			
Wave form	Sine wave			
THDV	3%			
<b>Efficiency</b>				
Max. MPPT efficiency	99.9%			
Max. efficiency	93%			
Max. charge efficiency	93%			
Max. discharge efficiency	93%			
<b>Protection</b>				
Over current/voltage protection	YES			
AC Short-circuit current protection	YES			
Grid monitoring	YES			
AC Surge protection Type III	YES			
Battery reverse polarity protection	YES			
<b>General</b>				
Dimensions(W*H*D)	330*505*135mm/13*19.9*5.3inch			
Weight	14.5kg/32lbs			
Ingress protection rating	IP20			
Operating environment temperature range(°C)	0~50			
Storage temperature range(°C)	-15~60			
Relative humidity	5%~95%			
Display & Communication interface	LCD+LED, RS485/Wi-Fi/CAN			
Warranty	2 years			
Cooling method	Smart Cooling			
Topology	Transformer-less			
Altitude	<2000m			
Noise emission(typical)	<50dB			
<b>Standards &amp; Certification</b>				
IEC 62109-1, IEC 61000, IEC62040/EN62040, IEC62109, NRS 097-2-1				

# SNA US 6000

- 240V/120V Output
- Off-grid seamless switching
- Split phase/Unbalanced 3-Phase
- Support up to 16pcs in parallel
- Automatically assigns a primary unit for the parallel inverter system.
- Separate generator port available



## SpecifiCation

INPUT (PV DC)		SNA-US 6000
Max. PV array power (W)		8000(4000/4000)
Rated PV input voltage(V)		320
Number of independent MPPT inputs		2
PV input voltage range(V)		100~480
MPPT voltage range(V)		120~385
Start-up voltage(V)		100
Max. PV input current per MPPT(A)		17/17
Max. PV short-circuit current input per MPPT(A)		25/25
Battery		
Compatible battery type		Lithium-ion/Lead-Acid
Rated battery voltage(V)		48
Battery voltage range(V)		38.4~60
Max. charge/discharge current(A)		125/140
Max. charge/discharge power(W)		6000
Recommend max. capacity of battery per inverter		>200AH
Force wake up battery from PV function		YES
Force wake up battery from Grid function		YES
Grid		
Rated AC voltage(V)		110(L-N)/220(L <sub>1</sub> -L <sub>2</sub> ); 120(L-N)/240(L <sub>1</sub> -L <sub>2</sub> )
Rated AC frequency(Hz)		50/60
Max. AC input current(A)		41A@220V/37.5A@240V
Max. AC input power(W)		9000
Rated AC current of BYPASS relays(A)		50
GEN		
Rated GEN voltage(V)		120/240
Rated GEN frequency(Hz)		50/60
Rated GEN input current(A)		32
Rated GEN input power(W)		7370
Rated GEN current of BYPASS relays(A)		60
UPS		
Rated output power(W)		6000
Rated output voltage(V)		110/220; 120/240
Rated output current(A)		28A@220V/25A@240V
Rated output frequency(Hz)		50/60
Surge power, duration		2Pn, <2s
Switching time		<15ms @ Single/ <30ms @ Parallel
Wave form		Sine wave
THDV		<3%
Efficiency		
Max. MPPT efficiency		99.9%
Max. efficiency		93.0%
Max. charge/discharge efficiency		93.0%
Protection		
Over current/voltage protection(Y/N)		YES
AC short-circuit current protection(Y/N)		YES
Grid monitoring(Y/N)		YES
AC Surge protection Type III		YES
Battery reverse polarity protection(Y/N)		YES
AC breaker (Current/Voltage)		50A/230VAC
Ups breaker (Current/Voltage)		50A/230VAC
Battery breaker (Current/Voltage)		200A/80V/DC
GEN breaker (Current/Voltage)		50A/230V/AC
General		
Dimensions(W*H*D)		450*650*150mm/17.7*25.6*5.9inch
Weight		24kg/53lbs
Ingress protection rating		IP20
Operating environment temperature range(°C)		0~50
Storage temperature range(°C)		-15~60
Relative humidity		5%~95%
Display & Communication interface		LCD+LED, RS485/Wi-Fi/CAN
Warranty		2 years
Cooling method		Smart Cooling
Topology		Transformer-less
Altitude		<2000m
Noise emission(typical)		<50dB
Standard & Certification		
		CSA STD. C22.2 No.1071, UL STD.1741, 1741SB



# RETROFIT



Your Reliable Energy Solution Partner

## AC Retrofit

- LXP 3600 ACS / LXP 3600 SQPOD

## DC Retrofit

- LSP 100K

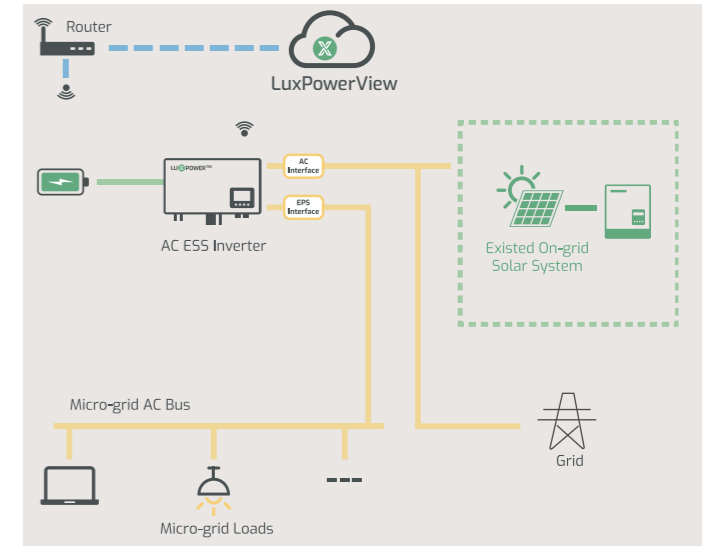
# One Step to Retrofit Your Solar System



## / AC Retrofit

Retrofit an existing on-grid solar system to add battery storage.

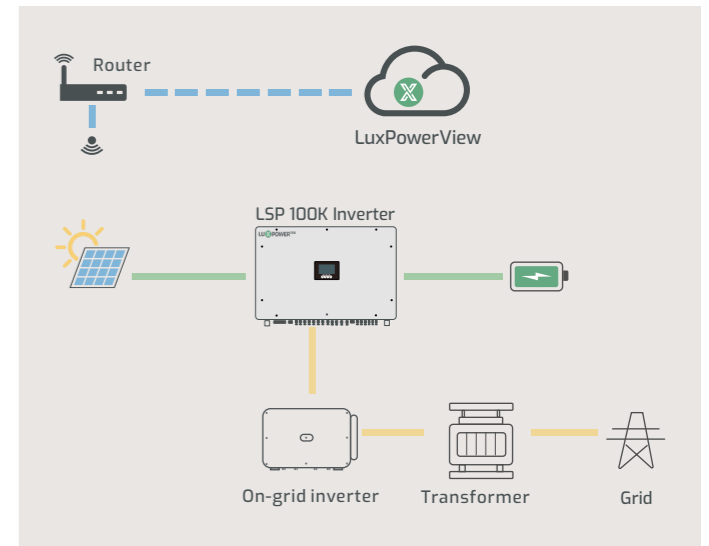
It couldn't be easier than installing an LXP AC series inverter coupled on AC side with a battery pack. Installation of a Lux AC system should not affect existing solar systems or feed in tariffs.



## / DC Retrofit

To retrofit an existing PV system by incorporating DC side coupling to create an energy storage system. With this enhanced storage system:

- It becomes compatible with batteries, enabling the addition of more PV panels, while also allowing the PV system to operate on a predefined schedule;
- By setting the charging/discharging timeline of the battery, it achieves an equivalent/similar effect as the Peak Shaving operating mode.



# LXP 3600 ACS



- Octopus smart time of use, weather optimize
- Retrofit any on-grid/micro-grid system to energy storage system
- On/off-grid seamless switching under 20ms
- Battery charging/discharging current: 70A
- 3600W nominal AC output power
- Support up to 6pcs in parallel

**NOTE:**

Intelligent charge feature is only available in the UK for now,

supporting regional customization

## SpecifiCation

Battery		LXP 3600 ACS/LXP 3600 SQPOD
Compatible battery type	Lithium-ion/Lead-Acid	
Rated battery voltage(V)	48	
Battery voltage range(V)	40-60	
Max. charge voltage(V)	60	
Max. charge/discharge current(A)	70	
Max. charge/discharge power(W)	3600	
Force wake up battery from Grid fuction(Y/N)	Y	
Grid		
Rated AC voltage(V)	230	
Rated AC frequency(Hz)	50/60	
Rated AC output current(A)	16	
Rated AC output power(W)	3600	
Max. AC input current(A)	26	
PF	0.99(Adjustable from 0.8 leading to 0.8 lagging)	
THDI	< 3%	
Rated AC current of BYPASS relays(A)	40	
UPS		
Rated output power(W)	3600	
Rated output voltage(V)	230	
Rated output current(A)	16	
Rated output frequency(Hz)	50/60	
peak power, duration	4500W, 30s	
Switching time	20ms	
Wave form	Sine wave	
THDV	< 3%	
Parallel capacity	6	
Efficiency		
Max. efficiency	97.3%	
Max. charge efficiency	94.5%	
Max. discharge efficiency	94.5%	
Protection		
Over current/voltage protection	YES	
Anti-islanding protection	YES	
AC Short-circuit current protection	YES	
Grid monitoring	YES	
AC Surge protection Type III	YES	
General		
Dimensions(W*H*D)	650*440*220mm/25.6*17.3*8.6inch	
Weight	15.6kg/34.4lbs	
Ingress protection rating	IP65	
Operating environment temperature range(°C)	-25-60	
Storage temperature range(°C)	-40-65	
Relative humidity	0-95%	
Display & Communication interface	LCD, RS485/Wi-Fi/CAN	
Warranty	5 years	
Cooling method	Natural Cooling	
Topology	Transformer-less	
Altitude	2000m	
Noise emission(Typical)	< 25dB	
AC connector	YES	

**Standards & Certification**  
 IEC62109-1, IEC62040, EN 61000-6-1:2007, EN 61000-6-3:2007+A1:2011+ AC:2012, EN 61000-3-2:2014, EN 61000-3-3:2013, VDE-AR-N 4105  
 EN50549-1, G98, G100





# LXP 3600 SQPOD



- Modular expansion – link up to 6 units together
- Number of batteries - Min, 1 Max. 8 (5.12kWh for each battery)
- Retrofit any on-grid/micro-grid system to energy storage system
- EPS (Emergency Power Supply) functionality
- Free online monitoring platform
- Weather Compensation smart charge feature
- Multiple Works with Octopus auto charge packages  
-Suggesting 40kwh for each machine, can be more.



## Lux Power Battery Storage Agile Auto Charge

Luxpower and Infinity Innovations Ltd. have developed an Agile Auto Charge (AAC) to allow automatic off-peak charging using the cheapest rates available. This is a Beta system and therefore reacts to data provided by Octopus. Lux Power has no involvement or responsibility for the content or timing of the information provided. Life is recommended that you read the Octopus Blog regarding all systems approved as compatible with Octopus.

<https://octopus.energy/blog/works-with-octopus/>

The AAC analyses the time and prices of the electricity information published by Octopus Energy and ranks the information by the price. You can therefore just input the number of charge periods you want to use, and the system will automatically charge using only the cheapest periods.

### Simple to Programme

Agile Auto Charge will appear on your Luxpower Portal once activated by Infinity Innovations Ltd. Simply select the quantity of 30-min charge periods you require for Night or Day charging and press save!

### Night Charge - From midnight to 6am.

Select the desired number of charge periods, and your system will automatically adjust to charge during periods when prices are at their lowest.

### Day Charge - From 12 noon to 4 pm.

This will allow you to top-up your batteries ready to get through the more expensive On-Peak periods.

### Blocking Discharge

You can also set periods where the batteries can charge but will not discharge. For example, block discharging from midnight to 6am and your batteries will charge using only the cheapest rates but will not discharge. So you can set all heavy usage items - washing machines, dishwashers, EV charging etc. to also run at night without emptying your batteries. Using this function, you can ensure your batteries are 100% charged ready cover your house load at 6am.

# LSP 100K

## Thanks to LSP 100k, it's now easy

To retrofit an existing PV system by incorporating DC side coupling to create an energy storage system. With this enhanced storage system:

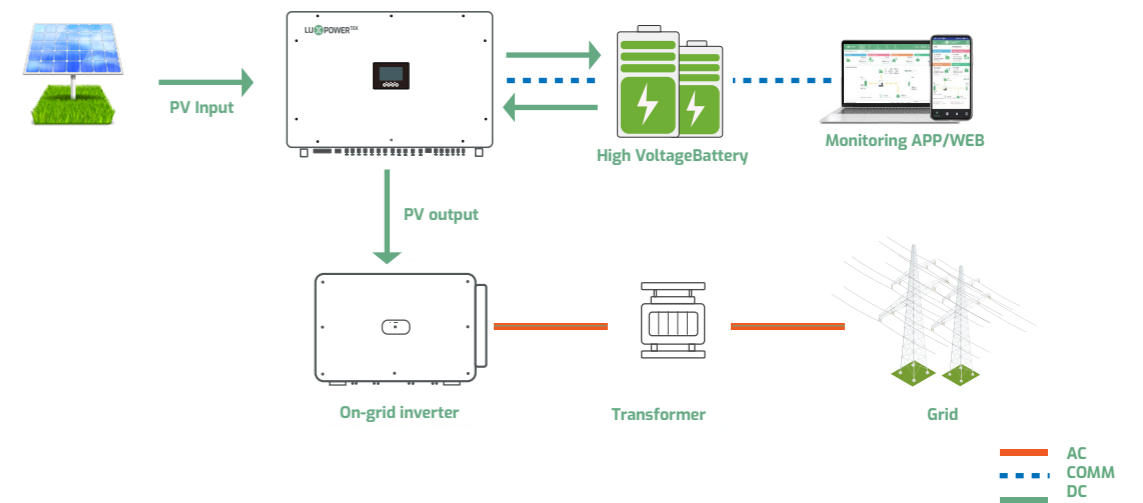
- It becomes compatible with batteries, enabling the addition of more PV panels, while also allowing the PV system to operate on a predefined schedule.
- By setting the charging/discharging timeline of the battery, it achieves an equivalent/similar effect as the Peak Shaving operating mode.



- Max. 200kW PV input, 100kW PV output
- Retrofit on-grid system to hybrid system (energy storage)
- Colorful touch LCD, IP65 for indoor/outdoor installation
- DC-coupling, 24 MPPT inputs and 12 MPPT outputs
- 24/7 real-time monitoring via free LUX app and web
- Advanced power management logic

## SpecifiCation

INPUT (PV DC)		LSP 100K
Max. input power(kW)		200
Max. input voltage(V)		1100
Rated PV input voltage(V)		630
MPPT voltage range(V)		300~1000
Start-up voltage(V)		330
Max. short-circuit per MPPT(A)		33
Max. current per MPPT input(A)		26
Number of MPPT inputs		12
Number of input strings		24
Battery		Lithium-ion/Lead-acid
Type		Lithium-ion/Lead-acid
Max. charge/discharge power(kW)		100
Voltage range(V)		300~700
Max. charge/discharge current(A)		200
Max. charge/discharge efficiency		98.1%
PV output		
DC-DC output rated power(kW)		100
Normal output voltage(V)		630
Output voltage range(V)		500~1000
Max. output current(A)		20
Output strings		12
Output trackers		12
Protection		
DC reverse-polarity protection		Yes
DC surge arrester		Type II
General		
Dimensions(W*H*D)		1015*680*310mm/39.9*26.8*12inch
Weight(with mounting plate)		120Kg/264.5lbs
Protection degree rating		IP65
Topology		Transformer-less
Cooling method		Natural Cooling
Relative humidity		0%~100%
Operating environment temperature range(°C)		-25~60
Connector(PV input and Output)		MC4
Battery connector		Screw
Altitude		<4000m
Warranty		5 years
Display		Touch color screen, LED+LCD
Communication interface		RS485/CAN/Wi-Fi
Standards & Certifications		
		EN 62109-1 / -2, IEC 62109-1 / -2



MONITORING  
APP/WEB

LUXPOWER<sup>TEK</sup>

# Top Energy Storage App

Your Reliable  
Energy Solution  
Partner

# Intelligent Power Management System

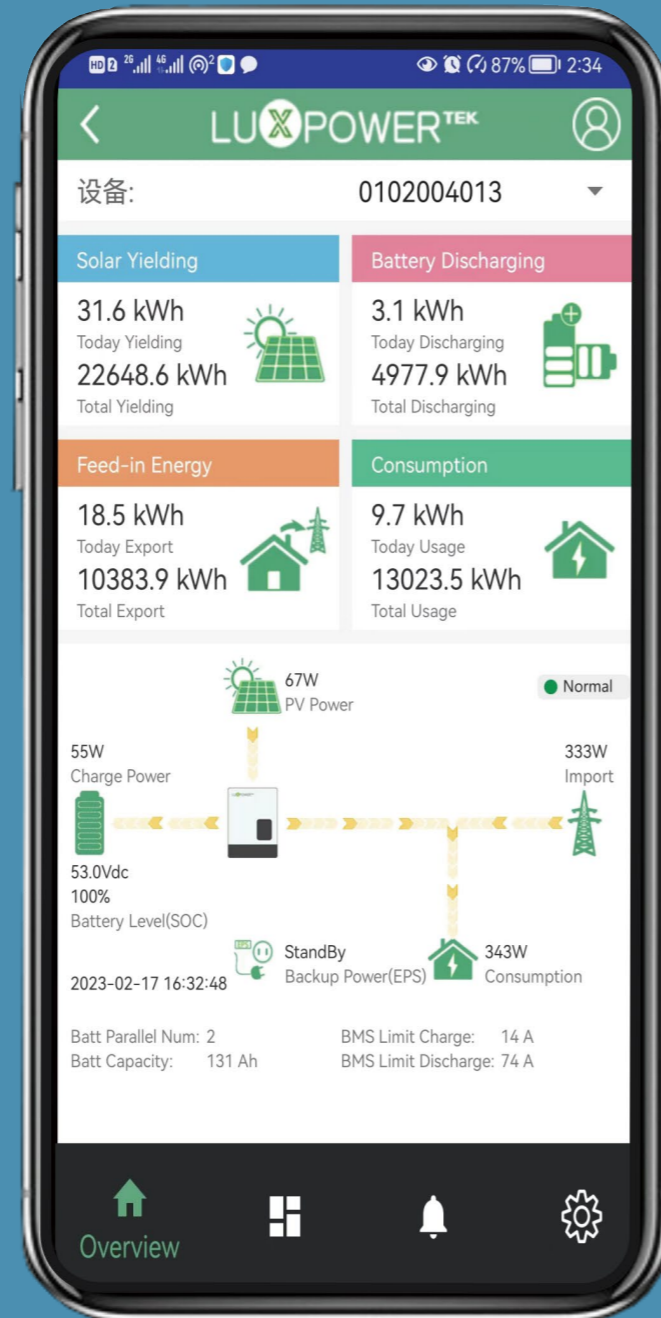
For APP Download



Android



IOS



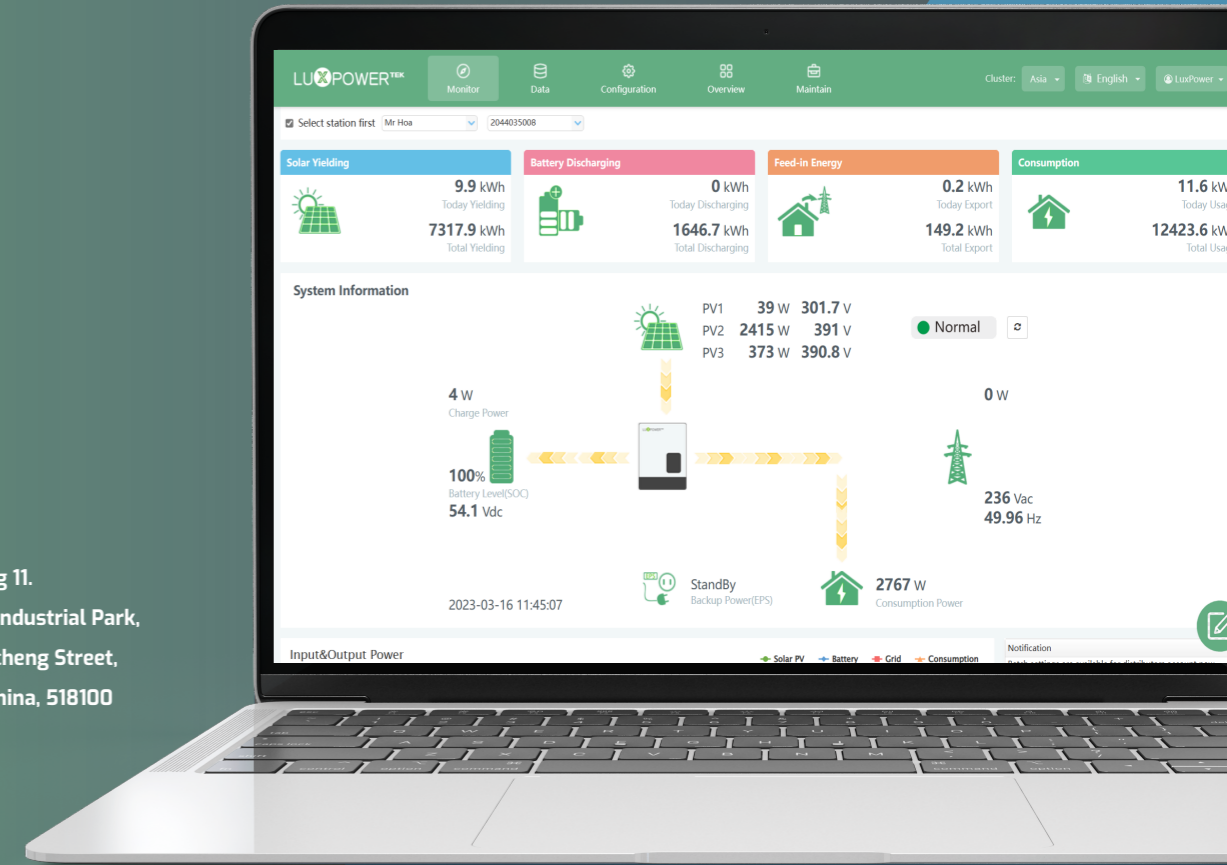
Luxpower has dedicated to making things easier since day 1. Thanks to the greatly accessible monitor and manager, all needs from users, installers, and distributors can be met.



5th floor, A Zone Of Building 11.  
Hengchangrong High-Tech Industrial Park,  
Huangtian Community, Hangcheng Street,  
Bao'an District Shenzhen, China, 518100



+86 0755 8520 9056  
www.luxpowertek.com  
info@luxpowertek.com



# Certificates



# Your Reliable Energy Solution Partner